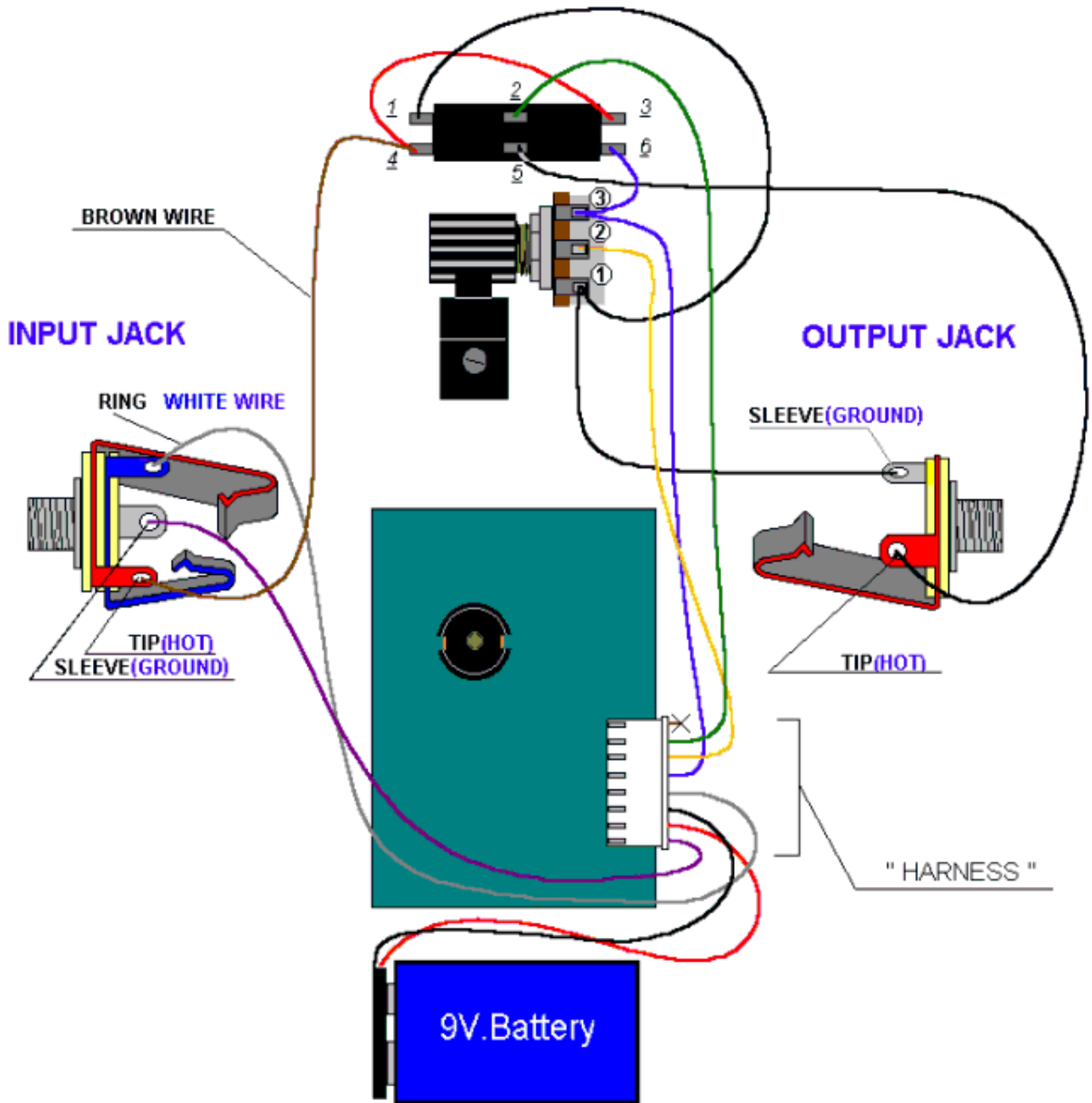


Instructions for True Bypass Modification to Vox "Reissue" V847 Chrometop

- 1) Unsolder wires to SPDT (stock switch), remove it, and Install new DPDT.
- 2) Cut Brown wire at "X" Mark where it meets PCB Quick Disconnect.
- 3) Re-route that Brown wire to DPDT Terminal #4 do not solder
- 4) Jumper a short wire from DPDT terminal #4 to DPDT terminal 3 and solder both.
- 5) Attach wire from Output Jack "Tip" to DPDT Terminal #5 and solder.
- 6) Run the Green wire (from PCB disconnect) to DPDT Terminal #2 and solder.
- 7) Attach wire from Wah Pot Terminal #3 to DPDT Terminal #6 and solder.
- 8) Attach a (ground) wire from wah pot terminal #1 to DPDT Terminal #1 and solder.

V847 Modified



© 1997 Michael Fuller/ Fulltone Custom Effects

Congratulations....you're done!

Vox is a registered trademark of Vox Amplification and has no affiliation with Fulltone Musical Products Inc.